

**NANLITE**

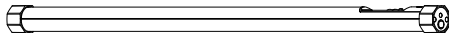
*PavoTube II 15X*  
*PavoTube II 30X*  
*PavoTube II 60X*  
USER MANUAL

Guangdong NanGuang Photo&Video Systems Co., Ltd

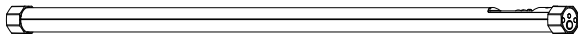
# PavoTube II 15X/30X/60X

## RGBWW LED Pixel Tube Light

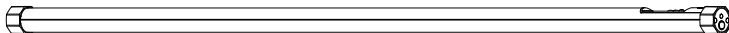
### Product Diagram



*PavoTube II 15X*



*PavoTube II 30X*



*PavoTube II 60X*

### Technical Data

#### Model No.: PavoTube II 15X

Rated Power: 35W

Input: DC15V/2A Max

AC100-240V

50/60Hz

Lithium Battery: 14.8V/2200mAh

Color Temperature: 2700K-12000K

CRI: Average 97

TLCI: Average 98

#### Model No.: PavoTube II 30X

Rated Power: 70W

Input: DC15V/4A Max

AC100-240V

50/60Hz

Lithium Battery: 18.5V/4400mAh

Color Temperature: 2700K-12000K

CRI: Average 97

TLCI: Average 98

#### Model No.: PavoTube II 60X

Rated Power: 106W

Input: DC15V/6.5A Max

AC100-240V

50/60Hz

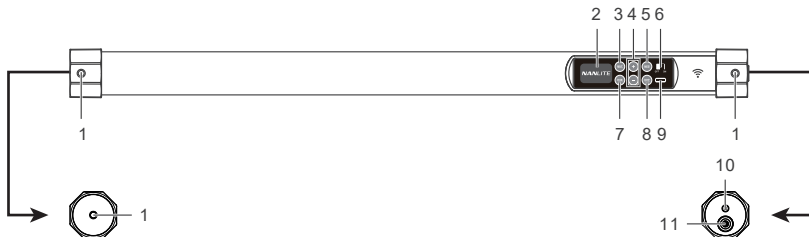
Lithium Battery: 18.5V/8800mAh

Color Temperature: 2700K-12000K

CRI: Average 97

TLCI: Average 98

## Product Details



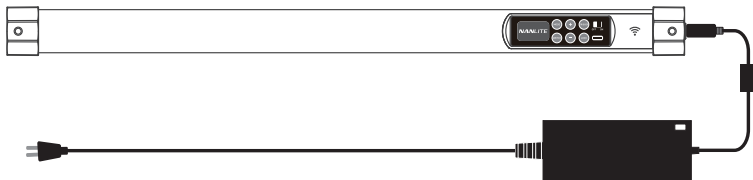
## Detailed Description

1. 1/4-20 Mount Receiver: To match the accessories with 1/4-20 mount.
2. Display: Menu and option display.
3. MODE Button: Switch between modes CCT, HSI, EFFECT, PIXEL FX and MENU.
4. "+" & "-": Increase or decrease settings, supports long/short press.
5. TRIGGER Button: For triggering STORM MANUAL and EXPLOSION MANUAL effect.
6. Power Switch: Power on/off.
7. SWITCH Button: Switch selected options.
8. LOCK Button: Long press the LOCK button to lock functions, now operation buttons cannot change the current function, long press the LOCK button again to release the lock status.
9. USB Type-C port: For firmware updates.
10. DC Power Socket: DC power input interface.
11. DMX interface: plug in DMX adapter cable for DMX signal input and output.  
( Note: The DMX adapter cable is not included.)

## Usage

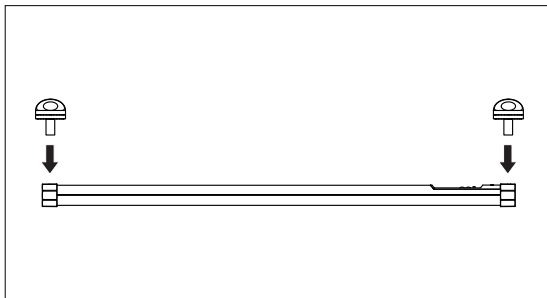
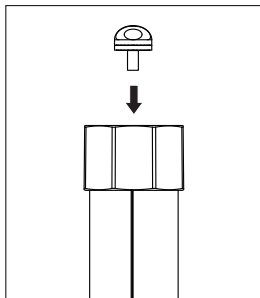
### 1. Power Connection

① Connecting the fixture with power adapter.



② Built in battery automatically powers unit once charged and unplugged from a power source.

### 2. Eyebolts Installation



## Remote Control

· PavoTube II 15X/30X/60X supports 2.4G remote control, DMX/RDM control, and has built-in Bluetooth.

▲ The channel needs to be pre-set for 2.4G remote control, DMX/RDM control solutions.

### 1. Channel Setting



Press MODE button to switch to MENU interface.

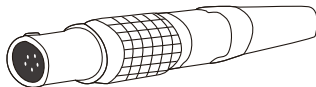


Press "+" & "-" to set the corresponding parameters.

### 2. DMX Control

① Connect the fixture to the DMX/RDM console with a DMX adapter cable.

(1) The connection between the fixture and DMX adapter cable is as follows:



(2) The connection between the DMX adapter cable and console is as follows:

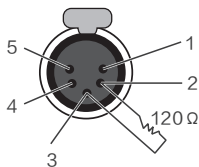


- The connection between the light fixture and DMX/RDM console, light fixture and light fixture should use DMX adapter cable. (DMX adapter cable is not included.)  
XLR plug/socket and the wire should be connected as pictured.
  - Pin1, Pin2, Pin3 for connecting DMX signal, Pin4, Pin5 is connectionless.
- ▲Note: When connecting with socket, the internal pins should not be in contact with the inner case, and pins should not be in contact with each other. The fixture adapts to the DMX512 (1990) control signal.

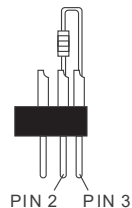
### ② DMX Terminator

In DMX control mode, the DMX output of the last fixture should be connected with a DMX terminator (Not included). This prevents interference caused by DMX signals in the transmitting process.

The terminator is connected with a 120Ω resistor across Pin 2 and Pin 3. (As shown below)



DMX Terminator Connection  
Connect a 120Ω resistor across Pin 2 and Pin 3 in an XLR plug and insert into the DMX OUT socket on the last fixture.



③ Set the channel of the fixture.

④ Refer to the DMX reference guide and control the light via DMX/RDM console.

(For specific operation methods, please refer to the DMX/RDM console operation manual.)

Note: DMX reference guide 《PavoTube\_II\_15X\_30X\_60X\_DMX\_REFERENCE\_GUIDE\_EN》 please download it from [www.nanlite.com](http://www.nanlite.com) or scan the QR code below to download.



Please scan the QR code to check or download the latest DMX reference guide.

### 3. 2.4G Remote Control

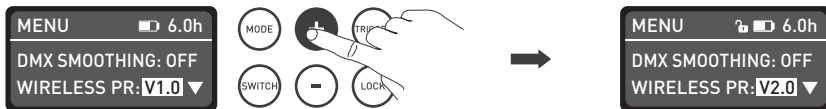
Set the channel of the 2.4G remote controller to be consistent with the light fixture, enabling the PavoTube II 15X/30X/60X to be remotely controlled by 2.4G remote controller or by NANLINK APP via WS-TB-1 transmitter box.

Note: ① 2.4G remote controller and transmitter box are sold separately.

② The fixture supports the 2.4G wireless protocol V1.0 and V2.0. Set fixture to V2.0 while using WS-RC-C1 or WS-RC-C2 remote controller. Set fixture to V1.0 while using other remote controllers.



Press SWITCH button to WIRELESS PR.



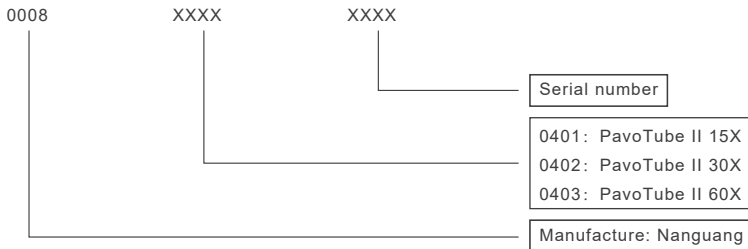
Press "+" "-" to select V1.0 or V2.0.

#### 4. RDM Control

- ① Connect the light fixture to the console with RDM function by DMX adapter cable.
- ② Control the fixture via a console with RDM function.

(For specific operation methods, please refer to the RDM console operation manual.)

Note: The UID format of the fixture is as follows:



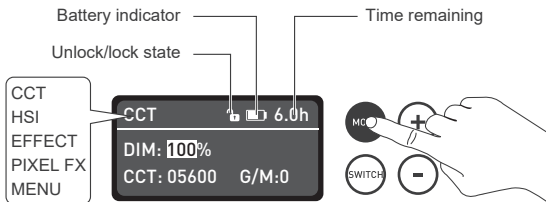


## Operating Instructions

1. Toggle the power switch to turn on the light, "NANLITE" logo will be displayed on start up.



2. MODE button: Press MODE button to switch between modes - CCT, HSI, EFFECT, PIXEL FX and MENU.

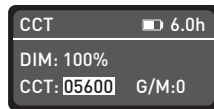
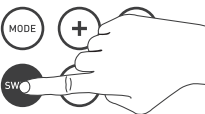
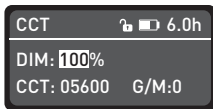


- ① In CCT Mode: press SWITCH button to select from DIM, CCT and G/M, press "+" and "-" to adjust the value of DIM, CCT and G/M.

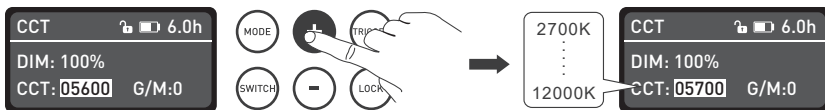
DIM range: 000% --- 100%

CCT range: 2700K --- 12000K

G/M range: -100 --- +100.



Press SWITCH button to select from DIM, CCT and G/M.



Pres "+" and "-" to set the corresponding parameters.

Note: In EFFECT mode, the adjustable range of DIM, CCT and G/M are the same as CCT mode.

- ② In HSI mode, press SWITCH button to select from DIM, HUE and SAT, press "+" and "-" to adjust the value of DIM, HUE and SAT.

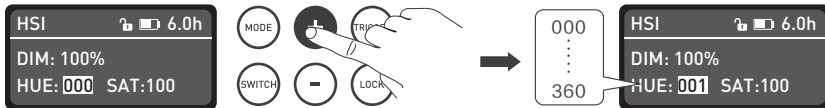
DIM range: 000% --- 100%

HUE range: 000 --- 360

SAT range: 000 --- 100.



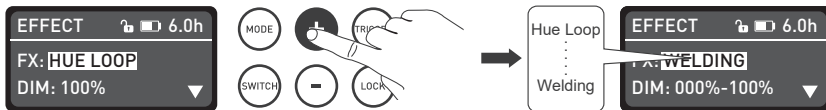
Press SWITCH button to select from DIM, HUE and SAT.



Press "+" and "-" to set the corresponding parameters.

Note: In EFFECT mode, the adjustable range of DIM, HUE and SAT are the same as HSI mode.

- ③ In Effect mode, press "+" and "-" to select desired special effect. PavoTube II 15X/30X/60X has built-in effects including Hue Loop, CCT Loop, INT Loop, CCT Flash, HUE Flash, CCT Pulse, Hue Pulse, Storm Auto, Storm Manual, Police Car, TV, Paparazzi, Candle/Fire, Disco, Bad Bulb, Firework, Explosion Auto, Explosion Manual and Welding.



Press "+" and "-" to select select desired special effect.



Press SWITCH button to switch options.



- ④ In PIXEL FX mode, PavoTube II 15X/30X/60X has built-in effects including HUE LOOP, CCT LOOP, INT LOOP, MULTICOLOR, FADE, SCROLL, RAINBOW. The setting method is the same as Effect mode.

⑤ MENU

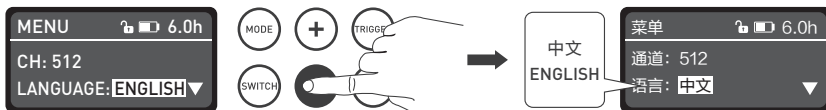
Press MODE button to switch to MENU, then press SWITCH button to switch between CH, LANGUAGE, DMX MODE, DMX PIXEL, DMX REDUCED CH, DMX DIM CURVE, DMX SMOOTHING, WIRELESS PR, BLUETOOTH RESET and VERSION.

(1) Channel setting, please refer to P4 for channel settings.

(2) Language setting

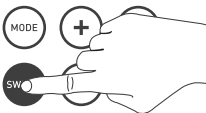
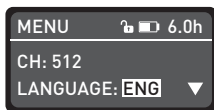


Press SWITCH button to LANGUAGE.

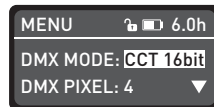
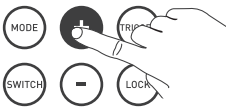
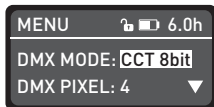


Press "+" and "-" to select the language.

(3) DMX MODE setting

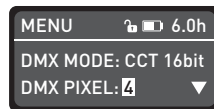
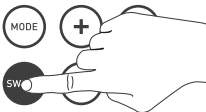
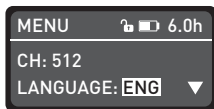


Press SWITCH button to DMX MODE.

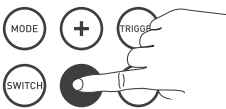
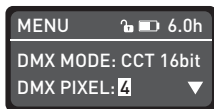


Press "+" and "-" to select the desired DMX mode.

(4) DMX PIXEL setting

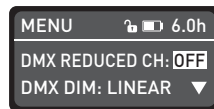
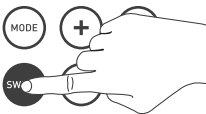
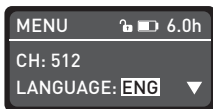


Press SWITCH button to DMX PIXEL.

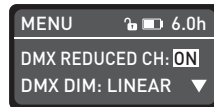
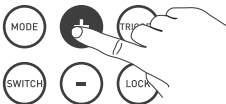
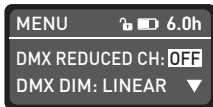


Press "+" and "-" to select the desired number of DMX pixels.

(5) DMX REDUCED CH

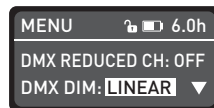
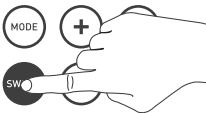
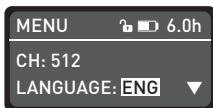


Press SWITCH button to DMX REDUCED CH.

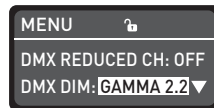
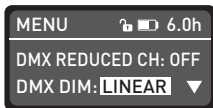


Press "+" and "-" to select ON or OFF.

(6) DMX DIM CURVE

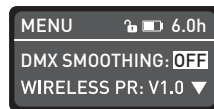
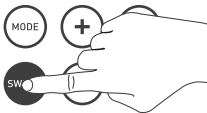
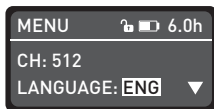


Press SWITCH button to DMX DIM CURVE.

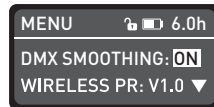
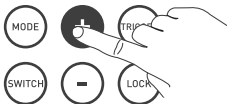
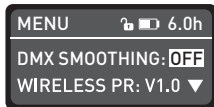


Press "+" and "-" to select the desired DMX dimming curve.

(7) DMX SMOOTHING



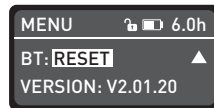
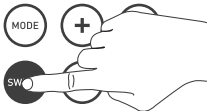
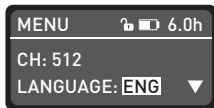
Press SWITCH button to DMX SMOOTHING.



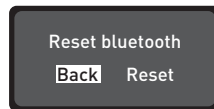
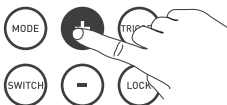
Press "+" and "-" to select ON or OFF.

(8) Wireless protocol, please refer to P6 for wireless protocol settings.

(9) Bluetooth reset



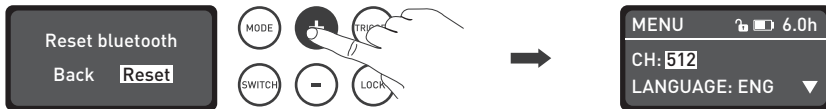
Press SWITCH button to BT.



Press "+" and "-" to the interface of reset bluetooth.



Press SWITCH button to select Reset.



Press "+" or MODE button could reset the Bluetooth, and it will automatically return to the menu after Bluetooth reset.

### (10) VERSION



Press SWITCH button to VERSION to check the current version of the fixture.

- Lighting effects and additional functionality maybe added with future firmware releases, for details of these please see [www.nanlite.com](http://www.nanlite.com).

### 3. Toggle the power switch to turn off the light.



## Safety Precautions









1. Please check for possible damage caused in transit after opening the package. Please do not use if damage is found. And contact with the distributor or manufacturer as soon as possible.
2. Please do not use a power cable with damaged insulation. Please do not unplug too hard or drag the power cable directly.
3. Please make sure the voltage of power supply accords with the voltage specified on the fixture before installation.
4. Please turn the fixture off when it is not in use or before cleaning.
5. Please keep the fixture safely stored and away from children.

## Notice

1. Please do not place any object on the light fixture or let any liquid flow into the interior.
2. Please do not place the fixture near any flammable or volatile substances like alcohol or gasoline.
3. Please do not use strong detergent for cleaning. Please wipe off the dirt by using a cloth with neutral cleanser when cleaning the fixture.
4. Please note that the light should be operated safely where it won't be at risk of getting wet or under extreme temperature. The operating temperature of PavoTube II 15X and PavoTube II 30X should not be higher than 45°C, and the operating temperature of PavoTube II 60X should not be higher than 40°C. Do not use or store the fixture around objects with high heat.
5. Please do not mount the PavoTube II 60X on LS-FL-1/4 stand.
6. Please do not disassemble the fixture at will to repair by yourself. Qualified professionals should conduct maintenance under the condition of strictly following the operating procedures described in this manual.

## What's in the box? Please kindly check.

### PavoTube II 15X 1KIT

|   |   |   |  |
|---|---|---|--|
| PavoTube II 15X × 1   | 15V2A Power Adapter × 1   | Clip × 1  | User Manual × 1  |
|  |  |  |  |
| Carrying Bag × 1  | Power Adapter Rubber Strap × 1  | Eyebolt × 2   | Power Cable 3M × 1   |
|  |  |  |  |










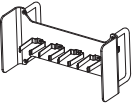
### PavoTube II 15X 2KIT

|                     |                                |             |                    |
|---------------------|--------------------------------|-------------|--------------------|
| PavoTube II 15X × 2 | 15V2A Power Adapter × 2        | Clip × 2    | User Manual × 1    |
| Carrying Bag × 1    | Power Adapter Rubber Strap × 2 | Eyebolt × 4 | Power Cable 3M × 2 |









### PavoTube II 15X 4KIT

|                     |                                |             |                    |
|---------------------|--------------------------------|-------------|--------------------|
| PavoTube II 15X × 4 | 15V2A Power Adapter × 4        | Clip × 4    | User Manual × 1    |
| Carrying Bag × 1    | Power Adapter Rubber Strap × 4 | Eyebolt × 8 | Power Cable 3M × 4 |

## PavoTube II 15X 8KIT

|   |   |   |  |
|---|---|---|--|
| PavoTube II 15X × 8   | 15V/2A Power Adapter × 8  | Clip × 16   | User Manual × 1  |
|  |  |  |  |
| Hard Case × 1   | Floor Stand × 8   | Eyebolt × 16  | Power Cable 3M × 8   |
|  |  |  |  |
| 1/8 DC Power Cable × 1  | 8-in-1 Power Adapter Holder × 1   |   |  |
|  |  |   |  |

### PavoTube II 30X 1KIT

|   |   |   |   |
|---|---|---|---|
| PavoTube II 30X × 1   | 15V4A Power Adapter × 1   | Clip × 1  | User Manual × 1   |
|  |  |  |   |
| Carrying Bag × 1  | Power Adapter Rubber Strap × 1  | Eyebolt × 2   | Power Cable 3M × 1  |
|  |  |  |  |





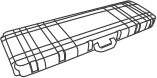




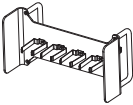
### PavoTube II 30X 2KIT

|                     |                                |             |                    |
|---------------------|--------------------------------|-------------|--------------------|
| PavoTube II 30X × 2 | 15V4A Power Adapter × 2        | Clip × 2    | User Manual × 1    |
| Carrying Bag × 1    | Power Adapter Rubber Strap × 2 | Eyebolt × 4 | Power Cable 3M × 2 |









### PavoTube II 30X 4KIT

|                     |                                |             |                    |
|---------------------|--------------------------------|-------------|--------------------|
| PavoTube II 30X × 4 | 15V4A Power Adapter × 4        | Clip × 4    | User Manual × 1    |
| Carrying Bag × 1    | Power Adapter Rubber Strap × 4 | Eyebolt × 8 | Power Cable 3M × 4 |








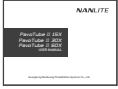
## PavoTube II 30X 8KIT

|   |   |   |  |
|---|---|---|--|
| PavoTube II 30X × 8   | 15V/4A Power Adapter × 8  | Clip × 16   | User Manual × 1  |
|  |  |  |  |
| Hard Case × 1   | Floor Stand × 8   | Eyebolt × 16  | Power Cable 3M × 8   |
|  |  |  |  |
| 1/8 DC Power Cable × 1  | 8-in-1 Power Adapter Holder × 1   |   |  |
|  |  |   |  |

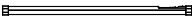











### PavoTube II 60X 2KIT-S

|   |   |   |  |
|---|---|---|--|
| PavoTube II 60X × 2   | 15V6.5A Power Adapter × 2   | Clip × 4  | Power Cable 3M × 2   |
|  |  |  |  |
| Carrying Bag × 1  | Power Adapter Rubber Strap × 2  | Eyebolt × 4   | User Manual × 1  |
|  |  |  |  |

### PavoTube II 60X 4KIT-S

|   |   |   |  |
|---|---|---|--|
| PavoTube II 60X × 4   | 15V6.5A Power Adapter × 4   | Clip × 8  | Power Cable 3M × 4   |
|  |  |  |  |
| Carrying Bag × 1  | Power Adapter Rubber × 4  | Eyebolt × 8   | User Manual × 1  |
|  |  |  |  |

## PavoTube II 60X 8KIT

|   |   |   |   |
|---|---|---|---|
| PavoTube II 60X × 8   | 15V6.5A Power Adapter × 8   | Power Cable 3M × 8  | 1/8 DC Power Cable × 1  |
|  |  |  |   |
| Clip × 16   | Eyebolt × 16  | Magnet Tube Clip × 16   | Multi-angle Mount × 16  |
|  |  |  |  |
| Hard Case × 1   | DMX Adapter Cable × 8   | Power Adapter Rubber × 8  | User Manual × 1   |
|  |  |  |  |

## General Fault Detection and Diagnosis

| Fault Detection   | Diagnosis   |
|---|---|
| The fixture won't boot up properly.   | <ol style="list-style-type: none"> <li>1. Please check that the power adapter, cable and outlet are properly connected and that the cable is not faulty or loose.</li> <li>2. Please check whether the voltage value is within the specified parameters.</li> </ol> |
| The fixture can be operated manually, but DMX control is not working.                   | <ol style="list-style-type: none"> <li>1. Please check whether the DMX original address setting of the fixture is correct.</li> <li>2. Please check that the XLR signal cable is connected correctly and that it is not faulty or damaged.</li> </ol>               |
| The display is on but no light output.  | Please check if the intensity is set to zero or if the light is in storm/welding mode.  |
| The light is flickering.  | <ol style="list-style-type: none"> <li>1. Please ensure the fixture is not being operated in extreme temperatures.</li> <li>2. Ensure the fixture is not in EFFECT mode.</li> </ol>   |
| If the failure is not resolved after troubleshooting, please contact place of purchase. |   |

This manual has been compiled according to the rigorous testing of our company's products. Product designs are subject to change without prior notice. You can download the latest version of the manual for this particular product from [www.nanlite.com](http://www.nanlite.com).



Version: V6 2022-09-17

**NANLITE**

+86-754-85751187

+86-754-85300887

service@nanlite.com

Zhanglin,324,Dongli Chenghai Shantou Guangdong China

[www.nanlite.com](http://www.nanlite.com)